

ITL Part Code - VF-016



Specifications:

Sealing Mechanism: Welded Bellows

Material exposed to Vacuum: Stainless Steel

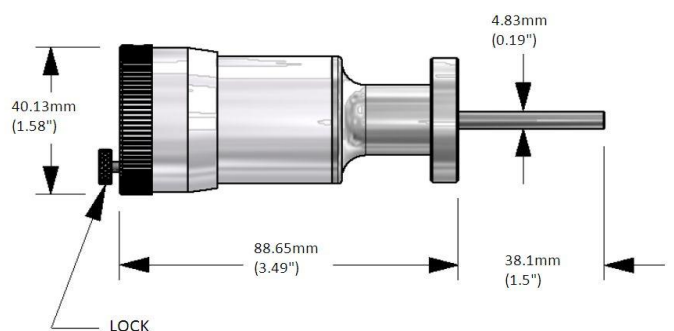
Bakeout Temperature: 200°C

Operating Temperature: -20° to 150°C

Pressure Range: Atmosphere to 1 x 10⁻¹¹ Torr

Position Lock: Thumb Screw

Maximum Torque: 100 oz./in.



VAC-U-FLANGE® Series

Flange	Description
1 1/3"	Rotary feedthrough, Aluminium w/o dial

The VF-016 series can be motorised.

Specialist UK manufacturers and suppliers of standard and bespoke vacuum products.

For all enquiries please contact us on: